

BIEKAPA
P R O F I L E R S

**Vineyard Posts &
Accessories**



BIEKAPA

P R O F I L E R S

BIEKAPA was born in 2017 as the result of the merger between two companies with an extensive experience in the manufacturing of steel profiles through cold forming processes: on the one hand KAPA PERFILE S, SL, specialising in profiles for drywall systems, and on the other side, BIEK PERFILADORES, SL manufacturer of profiles for agriculture, industrial, energy sector and construction applications.

Both companies began their activity in the year 2000, based in the same geographical area. The location on the border between Spain and France, means that today, BIEKAPA is able to focus strongly on the export market, with a clear international objective.

BIEKAPA has a wide knowledge of the cold forming sector of metal profiles, both at production and market levels; its know-how is the result of twenty years of experience providing solutions to the needs and requirements of its customers. The machine facilities and production capacity can respond to businesses' needs rapidly and efficiently, drawing on a wealth of experienced organisation, innovative designs and desire of new challenges.

BIEKAPA has its own experienced technical department that ensures the development and delivery of high quality products for excellent performances at both a European and transcontinental level.

The drive for quality is demonstrated by the international recognition of this young and dynamic company. BIEKAPA has products certified in its catalogue by national and foreign quality organisations (N AENOR, NF CSTB ...).

BIEKAPA is the result of merging two companies on a similar path that decided to join forces to become a leading company within its sector, armed with a vast understanding of the skills and techniques required to manufacture the best product, at the best price with the best service, to satisfy customer needs.

The strategy and philosophy of BIEKAPA means finding out the exact needs of the customer and then provide a custom solution to work with: from the basics of manufacturing steel profiles to the planning and delivery of solutions for industrial projects.

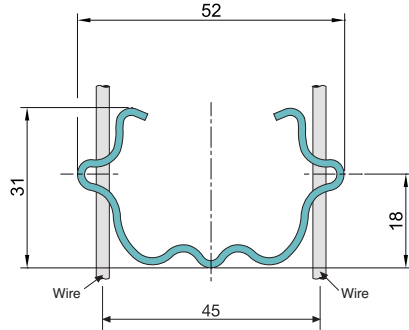


www.biekapa.com



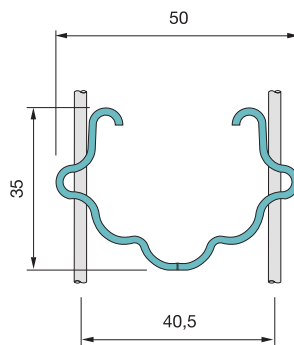


Intermediate Post Medium 31/52



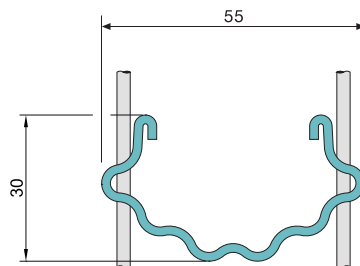
Post Height	Thickness	
	1,2 mm	1,5 mm
160 cm	•	
180 cm	•	•
200 cm	•	•
220 cm		•

Intermediate Post Manchego 35/50



Post Height	Thickness
	1,5 mm
180 cm	•
200 cm	•
220 cm	•

Intermediate Post Nervado 30/55

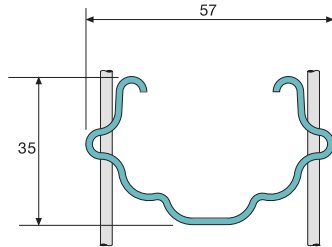


Post Height	Thickness	
	1,5 mm	1,8 mm
180 cm	•	
200 cm	•	•
220 cm	•	•
240 cm		•

Technical Specifications

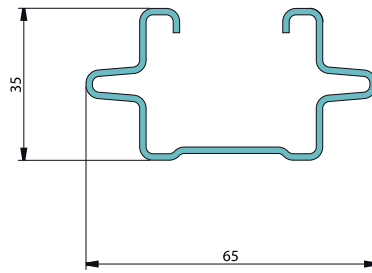
- Easy to install
- Machinery resistant and robust
- Good ground seating and provides stability for the trellis
- Available in Galvanised Z275 gr/m² or Hot Dipped Galvanised (HDG)
- Available with parallel and / or offset inside hooks
- Other heights and steel type available on request

Intermediate Post Fuerte 35/57



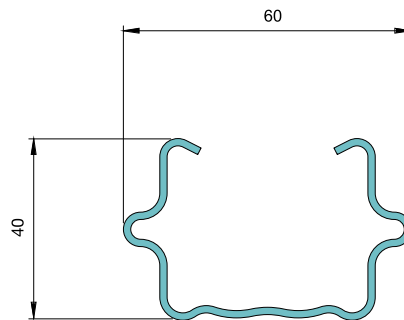
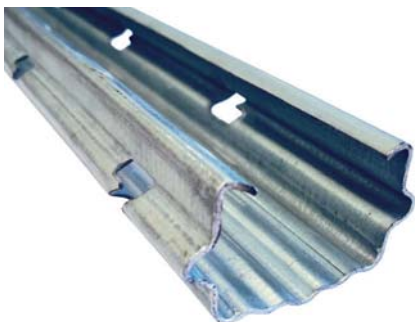
Post Height	Thickness	
	1,5 mm	1,8 mm
200 cm	•	
220 cm	•	
240 cm	•	•
250 cm		•

Intermediate Post - Inside Hooks Gemini 35/65



Post Height	Thickness	
	1,5 mm	
220 cm	•	
240 cm	•	
250 cm	•	
260 cm	•	

Intermediate Post Robusto 40/60

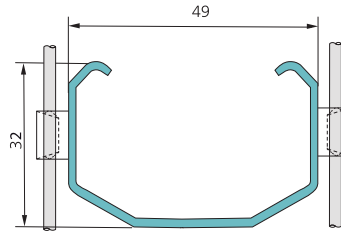


Post Height	Thickness		
	1,5 mm	1,8 mm	2 mm
220 cm	•		
240 cm	•		
250 cm	•	•	•
260 cm		•	•
270 cm		•	•

Technical Specifications

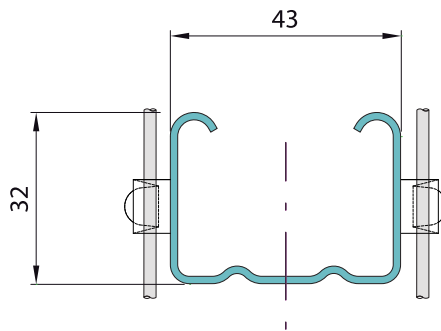
- Profile designed for high production load applications and taller trellis
- Large profile enables higher stability
- Easy to install
- Machinery resistant and robust
- Good ground seating and provides stability for the trellis
- Available in Galvanised Z275 gr/m2 or Hot Dipped Galvanised (HDG)
- Available with parallel and / or offset inside hooks
- Other heights and steel type available on request

Intermediate Post - External Hooks **Erex 50 32/49**



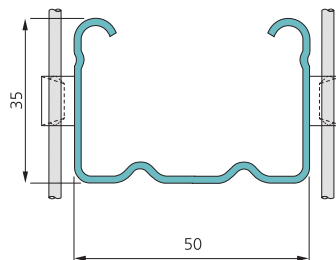
Post Height	Thickness	
	1,5 mm	
160 cm	•	
180 cm	•	
200 cm	•	
220 cm	•	

Intermediate Post - External Hooks **Erex 50 M 32/43**



Post Height	Thickness	
	1,5 mm	1,8 mm
200 cm	•	•
220 cm	•	•
240 cm	•	•

Intermediate Post - External Hooks **Erex 50 Plus 35/50**

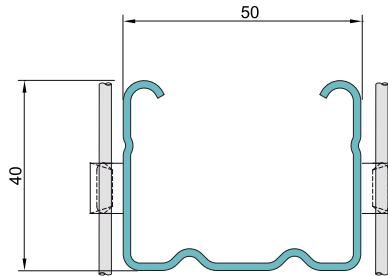


Post Height	Thickness	
	1,5 mm	1,8 mm
200 cm	•	
220 cm	•	•
240 cm	•	•
250 cm	•	•
260 cm		•

Technical Specifications

- Profile designed for high production load applications and taller trellis
- Machinery resistant hooks will not go inside the punched hole
- Flexible and robust post, ideal for use with machinery
- External hooks reduce labour time during wire movement
- Inverted hook at the bottom of the post to store wires during ground works and avoids wires becoming damaged
- Good ground seating and provides stability for the trellis
- Available in Galvanised Z275 gr/m² or Hot Dipped Galvanised (HDG)
- Available with parallel and / or offset inside hooks
- Other heights and steel type available on request

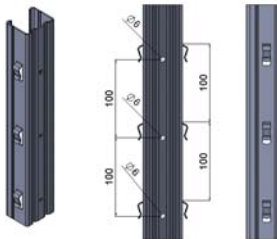
Intermediate Post - External Hooks Erex 50 Mega 40/50



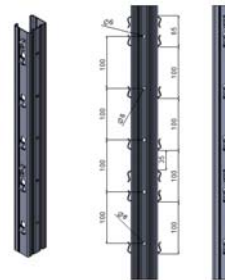
Post Height	Thickness	
	1,5 mm	1,8 mm
240 cm	•	•
250 cm	•	•
260 cm	•	•
270 cm	•	•

Hook posts for irregular terrain

Inverted Hooks



Mix Hooks



Indaten® (Arcelormittal)



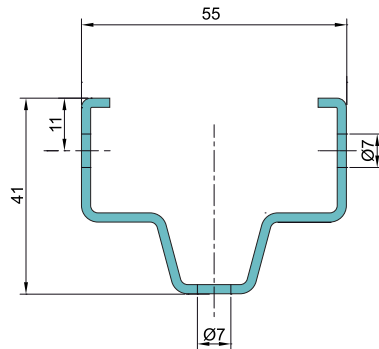
Indication:

for minimum orders this material can be made in all models of posts.

Technical Specifications

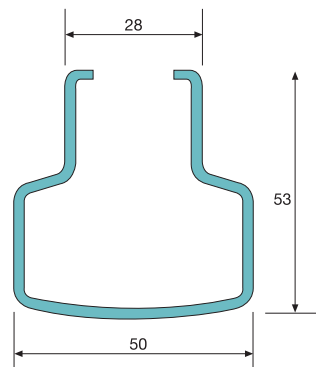
- Profile designed for high production load applications and taller trellis
- Machinery resistant hooks will not go inside the punched hole
- Flexible and robust post, ideal for use with machinery
- External hooks reduce labour time during wire movement
- Inverted hook at the bottom of the post to store wires during ground works and avoids wires becoming damaged
- Good ground seating and provides stability for the trellis
- Available in Galvanised Z275 gr/m² or Hot Dipped Galvanised (HDG)
- Available with parallel and / or offset inside hooks
- Other heights and steel type available on request

End Post Estándar 41/55



Post Height	Thickness
	2 mm
160 cm	•
180 cm	•
200 cm	•
220 cm	•
240 cm	•

End Post Extra Fuerte 53/50

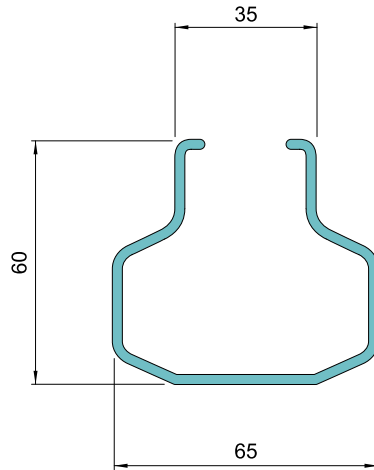
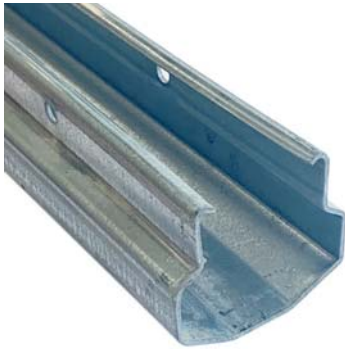


Post Height	Thickness
	2 mm
200 cm	•
220 cm	•
240 cm	•
250 cm	•
260 cm	•
270 cm	•

Technical Specifications

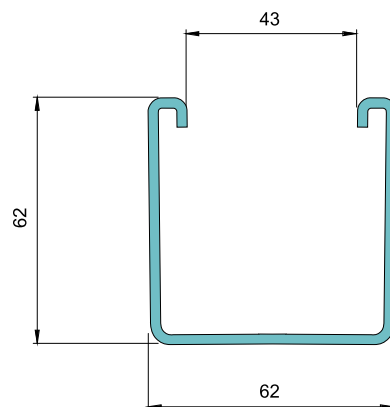
- Large profile
- Easy to install
- Machinery resistant and robust
- Good ground seating and provides stability for the trellis
- Available in Galvanised Z275 gr/m2 or Hot Dipped Galvanised (HDG)
- Available with parallel and / or offset inside hooks
- Other heights and steel type available on request

End Post Strong 60/65



Post Height	Thickness
	2 mm
220 cm	•
240 cm	•
250 cm	•
260 cm	•
270 cm	•
280 cm	•

End Post Mega Fuerte 62/62

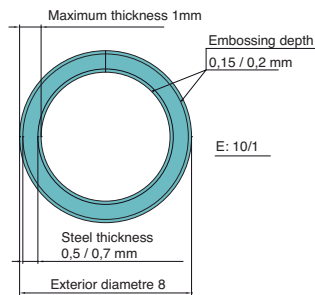


Post Height	Thickness
	2,5 mm
250 cm	•
260 cm	•
270 cm	•
280 cm	•
300 cm	•

Technical Specifications

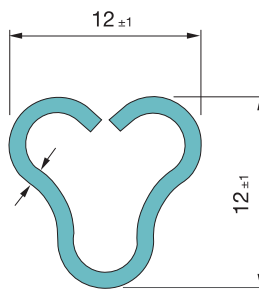
- Large profile
- Easy to install
- Machinery resistant and robust
- Good ground seating and provides stability for the trellis
- Available in Galvanised Z275 gr/m² or Hot Dipped Galvanised (HDG)
- Available with parallel and / or offset inside hooks
- Other heights and steel type available on request

Plant stakes G8



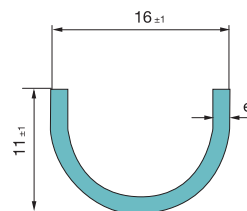
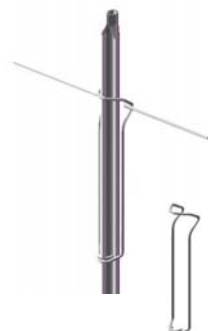
Thickness	L
0,6 / 0,7 / 0,8 mm	800
0,6 / 0,7 / 0,8 mm	900
0,6 / 0,7 / 0,8 mm	1000
0,7 / 0,8 / 1 mm	1200
0,7 / 0,8 / 1 mm	1300
0,7 / 0,8 / 1 mm	1400
0,7 / 0,8 / 1 mm	1500

Plant stakes R12



Thickness	L
0,7 / 0,8 mm	800
0,7 / 0,8 mm	900
0,7 / 0,8 mm	1000
0,7 / 0,8 / 1 mm	1200
0,7 / 0,8 / 1 mm	1300
0,7 / 0,8 / 1 mm	1400
0,7 / 0,8 / 1 mm	1500

Plant stakes U16



Thickness	L
1,5 / 1,8 / 2 mm	1500
1,5 / 1,8 / 2 mm	1600
1,5 / 1,8 / 2 mm	1700
1,5 / 1,8 / 2 mm	1800
1,5 / 1,8 / 2 mm	1900
1,5 / 1,8 / 2 mm	2000
1,8 / 2 mm	2200
1,8 / 2 mm	2400
1,8 / 2 mm	2500
2 mm	2800
2 mm	3000

Technical Specifications

- Profiled plant stake
- Stable, robust and easy to install
- Lightweight product, easy to store and transport
- Galvanised Z.100-275 gr/m²
- Other heights and steel type available on request

Accessories Wire Zinc-Alu



- Wire Triple – Galva
- Wire Zink – Alu
- Wire Stainless Steel



Accessories Anchor



Two piece disc anchor

- Discs available in 107mm / 125mm / 150mm and 3mm thick
- Rods available in 600mm / 650mm / 800mm and 1.000 mm.



Monobloc anchor

Single piece disc anchor, welded and hot dip galvanised.

- ART.211/1 – Bar 12 x 1000 mm + spiral 120 mm
- ART.211/2 – Bar 14 x 1000 mm + spiral 140 mm

Pieces per unit

Accessories Tensioners



Galvanised ratchet tensioner

With galvanised bolt and nut M6 x 70 for the Standard BIEK End Post and M6 x 45 for the BIEK Strong End Post.

Pieces/Box:400



Grippe Torq Tool

Pieces/Box: 1



Grippe

Very practical wire tensioner / joiner, permanent tension, available in 3 models.



GRIP-P

Small Grippe: For Ø 1-2 mm wires.
Pieces/Box: 200



GRIP-M

Medium Grippe: For Ø 2-3.25 mm wires.
Pieces/Box: 200

GRIP-1C

Grippe 1 Canal
Pieces/Box: 200

Installation accessories for posts



Wire spreader



BIEKAPA

P R O F I L E R S



Biek Kapa Perfiladores S.L.
Polígono Lintzirin, 12
20180 Oiartzun
SPAIN
T. +34 943 639 189
info@biekapa.com
www.biekapa.com

